



**FIRE RESEARCH CORPORATION**  
26 Southern Blvd., Nesconset, NY 11767  
TEL 631.724.8888 FAX 631.360.9727  
**TOLL FREE 1.800.645.0074**  
www.fireresearch.com

# TELESCOPIC POLE LAMPHEAD INSTALLATION AND MOUNTING BRACKET TEMPLATES

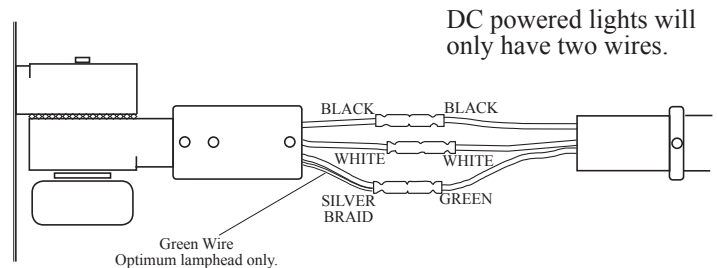
## INSTALL LAMPHEAD ON TELESCOPIC POLE

Refer to the General Lighting manual or lamphead and model specific sheets for safety, maintenance, and installation instructions.

Lampheads and telescopic poles are shipped apart and need to be assembled.

**Note:** The 512 telescopic pole must be installed before the lamphead is attached if the small diameter hole is used. Refer to template drawing for 512 Thru-The-Roof mount.

1. Place the lamphead and the pole on a flat surface.
2. Connect the lamphead wires to the pole wires.
  - a. Ensure that 3/8 inch of bare conductor shows at the end of each wire.
  - b. Insert the wires in the butt connectors and crimp.
3. Ensure the crimps are tight. (Test by lightly tugging on the wires.)



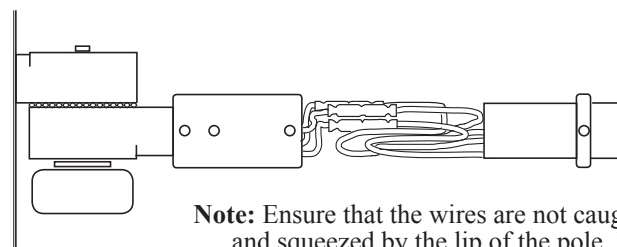
**For DC Powered Lights:**

Connect black to black, white to red.

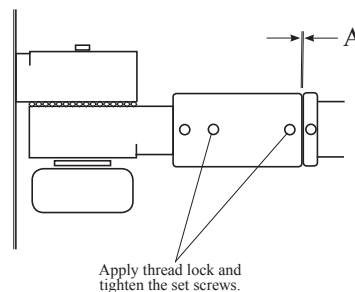
**For AC Powered Lights:**

Connect black to black, white to white, silver braid to green.

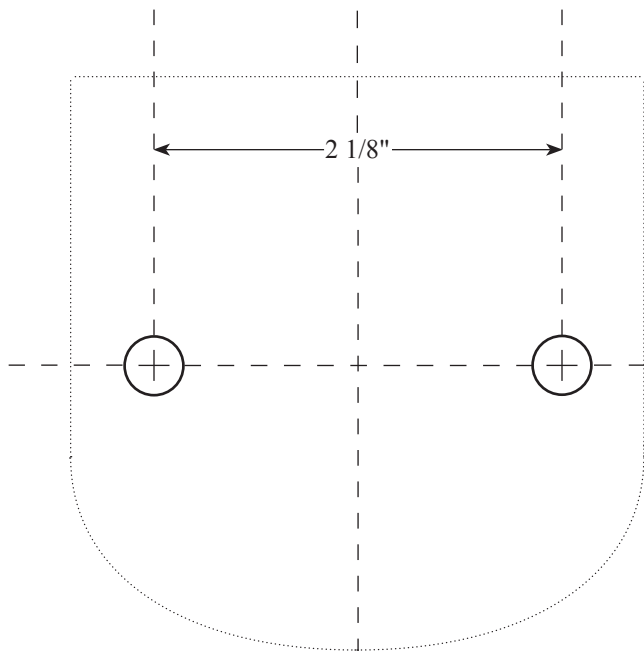
4. Loop the excess wire in a zig-zag fashion to take up the slack.
5. Slide the lamphead onto the pole tucking the wires into the pole.



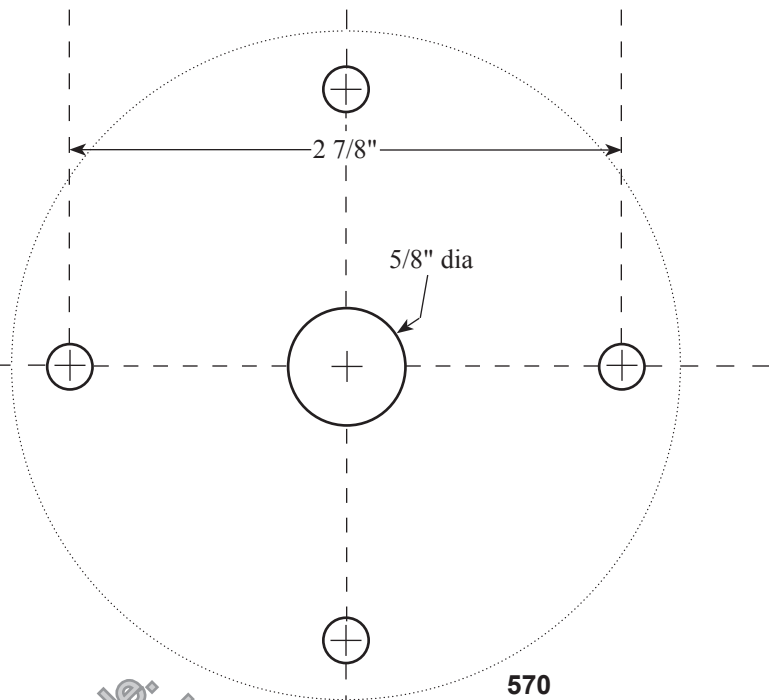
6. Apply thread lock and tighten the set screws to secure the lamphead on the pole. (A medium strength locking compound like Loctite blue is recommended.)



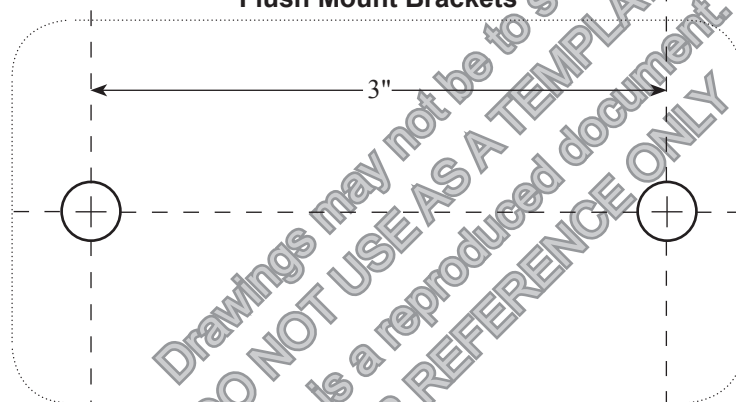
**Note:** Dimension A should be less than 0.015" (the thickness of a folded piece of paper). If A is larger, a wire is probably caught. Disassemble and check for wire insulation damage. If there is no damage, reassemble.



**530, 540, 542, 580**  
Side Mount Brackets



**570**  
Pedestal Mount



**530, 540, 542**  
Flush Mount Brackets

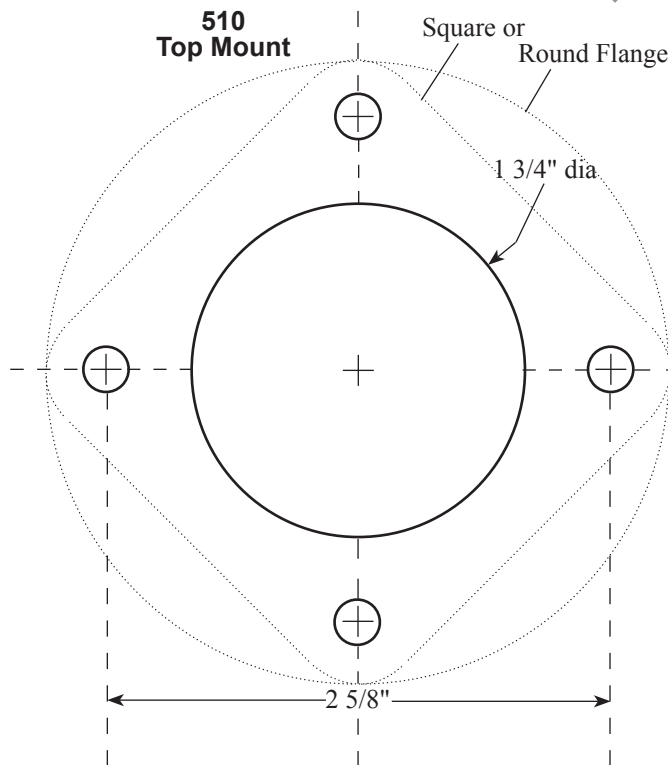
Scale = Full Size  
Dimensions are within casting and machine part tolerances.

**Hardware Recommendations**  
For 510, 512, 570 mounts:  
1/4-20 SS  
For 530, 540, 542, 580 mounts:  
5/16-18 SS

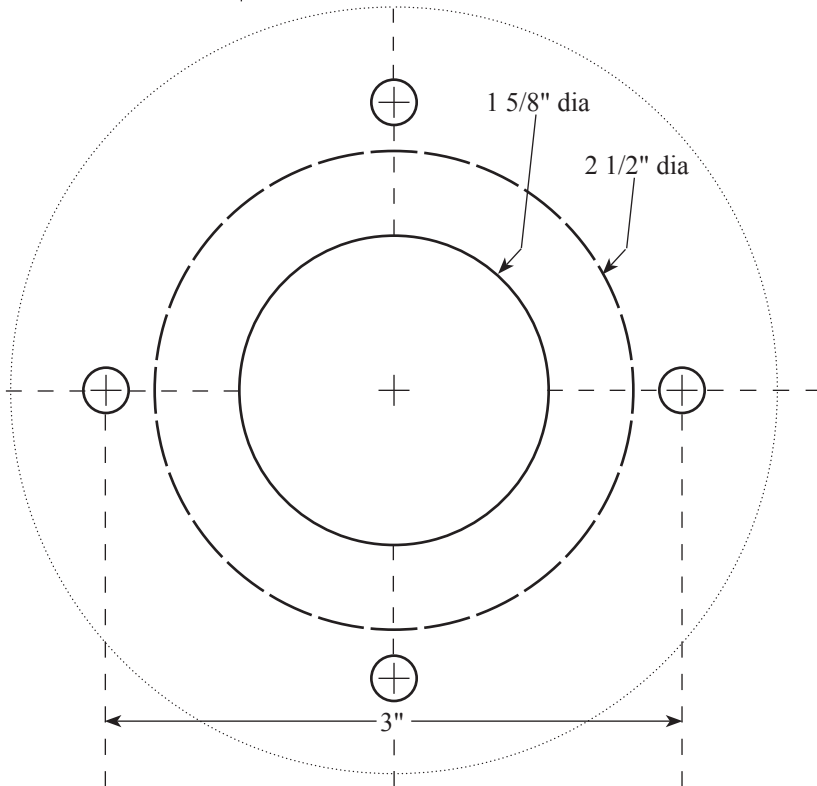
*Drawings may not be to scale.  
DO NOT USE AS A TEMPLATE  
This is a reproduced document  
FOR REFERENCE ONLY*

**512**  
Thru-The-Roof Mount

**Note:** The 512 telescopic pole must be installed before the lamphead is attached if the small diameter hole is used.



**510**  
Top Mount



**512**  
Thru-The-Roof Mount