



FIRE RESEARCH CORPORATION
26 Southern Blvd., Nesconset, NY 11767
TEL 631.724.8888 FAX 631.360.9727
TOLL FREE 1.800.645.0074
www.fireresearch.com



MODELS 600, 642, 656 TRIPOD TELESCOPIC POLE

NIGHTMASTERS

INSTALLATION INSTRUCTIONS

Refer to the General Lighting manual or lamphead specific sheets for safety and maintenance.

Install Quick Release Bracket Set for Tripod Models 600, 642, 656

The quick release mounting bracket set will hold an FRC tripod securely on the vehicle. The mounting bracket set consists of a lower base into which the bottom of the tripod legs rest, and an upper locking bracket, which has a quick release knob on the right side.

1. Place the tripod in position to check for fit.

Note: The mounting brackets are aligned left and not centered on each other.

2. Mark the mounting hole locations.
 - a. Align the left sides of the brackets and the left side mounting holes for the tripod to fit correctly.
 - b. The upper bracket can only be mounted with the pull knob to the right side.
 - c. Use the brackets as templates.

Helpful Hint: Mount the bottom bracket first. Attach the quick release bracket to the hole on the upper slide casting of the tripod. Rest the tripod legs in the base, and push the upper bracket in position flush to the mounting surface. Mark the top bracket hole locations.

3. Drill the mounting holes. The mounting brackets are predrilled for 1/4-20 hardware.

Note: Tripods with Focus lampheads require that 3/4" spacers be installed between the mounting surface and the brackets so the back of the lamphead will clear the mounting surface.

4. Install the mounting brackets (and spacers with Focus lamphead).



Quick Release Bracket Set
(Shown with Focus lamphead spacers.)

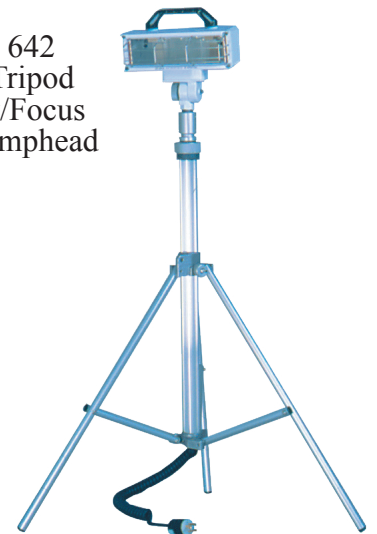


Dual Quick Release Bracket
(The lock can be released
from either side.)

600, 656
Tripod



642
Tripod
w/Focus
Lamphead



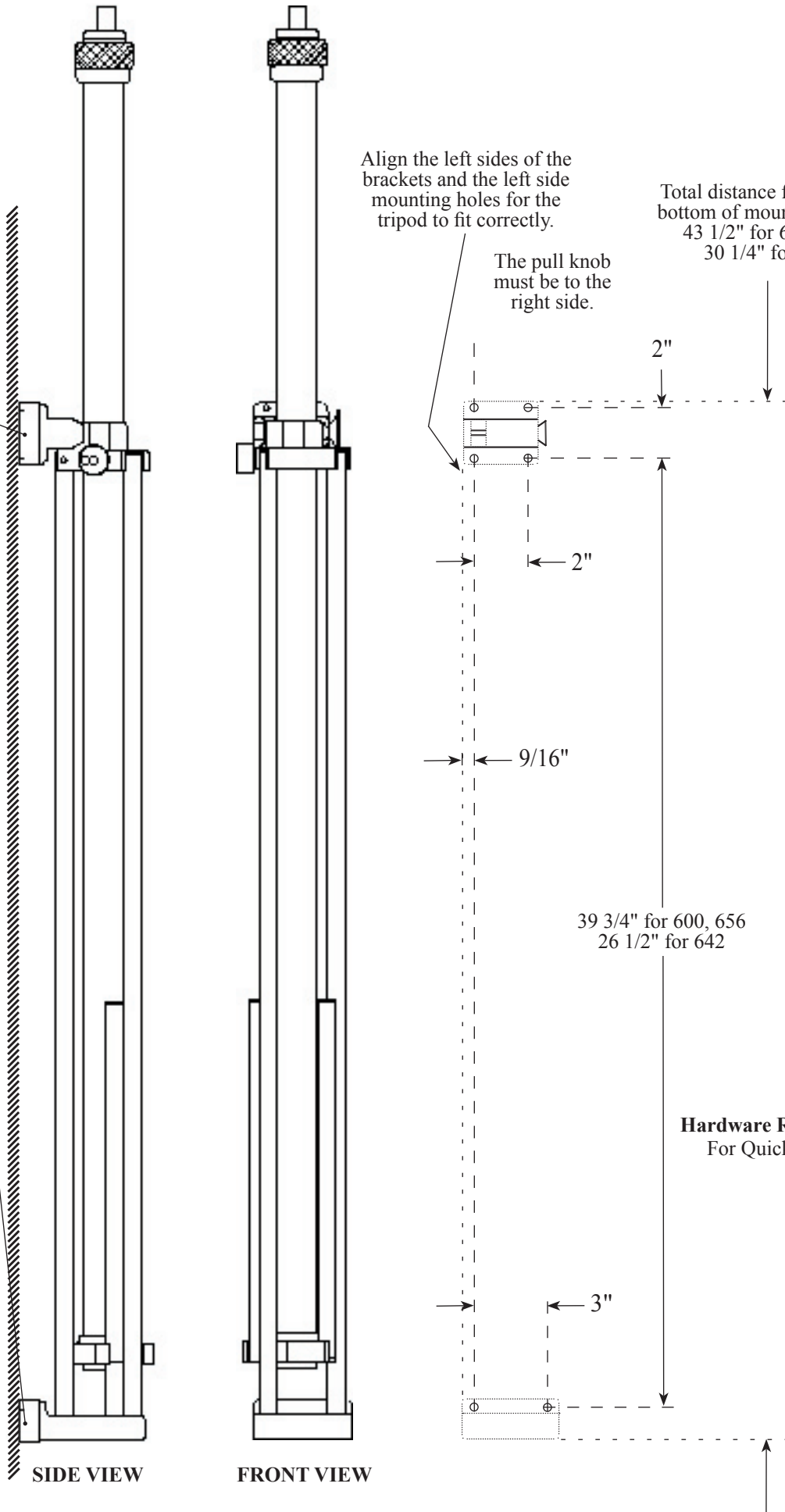
Install Tripod Quick Release Bracket Set

Tripods with **Focus Lampheads** use a 3/4" spacer under both mounting brackets.

Align the left sides of the brackets and the left side mounting holes for the tripod to fit correctly.

The pull knob must be to the right side.

Total distance from top to bottom of mount brackets:
 43 1/2" for 600, 656
 30 1/4" for 642



SIDE VIEW

FRONT VIEW

Hardware Recommendations
 For Quick Release Brackets:
 1/4-20 SS