



# TSSATSL-2T All Terrain Scene Light 2

(Patent Pending)

Traffic Safety System . 116 Carriage Drive . Fairview North Carolina . 28730 . (828) 275.6954

## Components

All ATSL's are shipped complete with no extras to order

Generator - Honda EU2000i (3 year warranty)

Frame - TSS GenStand # 2

Pole & Light - Height is short or tall with an FRC 1000 watt in a Focus or Optimum light head

2 Year warranty - All components are covered



## Not just another Scene Light

When departments are looking for a new scene lighting option they want a light with a good history and a long in-service time. It needs to operate independently of the rescue vehicle in case the vehicle needs to be moved. It must be able to be set up by one person. It must also operate in extreme conditions. The All Terrain Scene Light was built to do all this at a good price



## Overview

**Fast Deployment** - Sets up and ready to work in 60 seconds.

**Light weight and Portable** - Allows the unit to be taken anywhere you need a lot of light for an extended period of time.

**Easy Storage** - It's compact closed size will fit in most vehicle trunks and truck compartments.

**Extreme service** - We have built the ATSL with the Firefighter in mind, all kinds of weather, all kinds of terrain, all kinds of calls

### ATSL # 2 Specification

**Dimensions Closed** - 28" x 12" x 24"

**Open** - 28" x 21" x 48" or 123"

**Weight** - 65 lbs

**Run time** - 9 to 12 hours

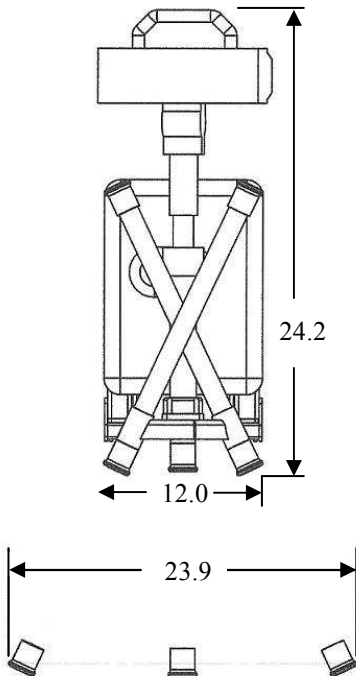
**Power source** - Honda EU 2000i . 65 cc output

**Scene light** - FRC 1000 watt Focus 22,000 Lumens of light

**Mast** - 48 inches extended (Short) . 123 inch extended (Tall)

**Decibels** - 53 - 59 db(a)

**Exhaust**— USDA Qualified Spark Arrestor/Muffler



## Traffic Safety System LLC

(828) 275.6954

www.trafficsafetysystem.com